

(19) Japan Patent Office (JP)
(12) Gazette of Patent Laid-Open Publication (A)
(11) Patent Laid-Open Publication No. H11-163403
(43) Date of Laid-Open Publication: June 18, 1999

5 (51) Int. Cl.⁶ ID Code FI
H 01 L 33/00 H 01 L 33/00 C
21/301 21/78 L

Request for Examination: Not requested

Number of Claims: 8

10 OL (Total pages: 10)

(21) Patent Application No. H9-328665

(22) Filing Date: November 28, 1997

(71) Applicant: 000226057

Nichia Corporation

15 491-100 Kaminakacho-Oka, Anan-shi,
Tokushima-ken

(72) Inventor: Hirofumi Shono

c/o Nichia Corporation

20 491-100 Kaminakacho-Oka, Anan-shi,
Tokushima-ken

(72) Inventor: Tatsunori Toyoda

c/o Nichia Corporation

491-100 Kaminakacho-Oka, Anan-shi,
Tokushima-ken

25 (54) [Document Name] METHOD OF FABRICATING NITRIDE
SEMICONDUCTOR ELEMENT

(57) [Abstract]

[Problem] To especially provide a method of fabricating a nitride semiconductor element that enables separation of nitride semiconductor elements formed on a substrate with high yield, which is related to a method of fabricating a light-emitting diode or a laser diode capable of emitting ultraviolet to orange light in addition to a group III-V semiconductor element that can be driven even at high temperatures.

[Means for solving the problem] A method of fabricating a nitride semiconductor element (110) that splits a semiconductor wafer (100) having a nitride semiconductor (102) formed on a substrate (101) into nitride semiconductor elements (110), comprising, in particular, a step of radiating a laser beam, through the semiconductor wafer (100) from the side of a first main surface (111) and/or a second main surface (121) of the semiconductor wafer (100) that comprises the first and second main surfaces, to form a scribe line (103) at a focal point formed at least on the side of the second main surface (121) of the substrate (101) and/or the side of the first main surface (111) of the substrate (101), and a step of separating the semiconductor wafer along the scribe line.

[Claims]

[Claim 1] A method of fabricating a nitride semiconductor element (110) that splits a semiconductor wafer (100)

having a nitride semiconductor (102) formed on a substrate (101) into nitride semiconductor elements (110), characterized by comprising a step of radiating a laser beam, through the semiconductor wafer (100) from the side of a first main surface (111) and/or a second main surface (121) of the semiconductor wafer (100) that comprises the first and second main surfaces, to form a scribe line (103) at a focal point formed at least on the side of the second main surface (121) of the substrate (101) and/or the side of the first main surface (111) of the substrate (101), and a step of separating the semiconductor wafer along the scribe line.

[Claim 2] The nitride semiconductor element fabrication method according to claim 1, wherein the first main surface (111) is a nitride-semiconductor-deposition-layer side of the semiconductor wafer (100) having the nitride semiconductor (102) formed on only one side of the substrate (101), and the second main surface (121) is a substrate-exposure-surface side that lies opposite the first main surface (111) via the semiconductor wafer (100).

[Claim 3] The nitride semiconductor element fabrication method according to claim 1, wherein the scribe line is a recess (103) formed in the substrate exposure surface.

[Claim 4] The nitride semiconductor element fabrication method according to claim 1, wherein the scribe line is an affected layer (206) formed within the substrate.

[Claim 5] The nitride semiconductor element fabrication method according to claim 1, comprising a step of forming a groove section (104) substantially parallel with the scribe line by means of at least one device selected from a diamond scribe, a dicer, and a laser beam machine in the side of the first main surface (111) and/or the side of the second main surface (121) of the semiconductor wafer (100) irradiated with a laser beam.

[Claim 6] A nitride semiconductor element fabrication method that splits a semiconductor wafer (100) having a nitride semiconductor (102) formed on only one side of a substrate (101) into nitride semiconductor elements (110), characterized by comprising a step of radiating a laser beam, from the side of a first main surface (111) formed with the nitride semiconductor (102) of the semiconductor wafer (100) that comprises the first and second main surfaces, to form a scribe line (103) in the side of the second main surface (121), a step of forming, from the side of the first main surface (111), a groove section (104), that is substantially parallel with the scribe line (103) and reaches the surface of the substrate (101), and a step of separating the semiconductor wafer (100) along the scribe line (103).

[Claim 7] The nitride semiconductor element fabrication method according to claim 6, wherein the groove section (204) is formed in the surface on the side of the first main

surface (211), at which the substrate is exposed beforehand.

[Claim 8] A nitride semiconductor element fabrication method that splits a semiconductor wafer (300) having a nitride semiconductor (302) formed on only one side of a substrate (301) into nitride semiconductor elements (310), characterized by comprising a step of radiating a laser beam, from the side of a second main surface (321) that lies opposite a first main surface (311) formed with the nitride semiconductor (302) of the semiconductor wafer (300) that comprises the first and second main surfaces, to form a scribe line (308) in the side of the first main surface (311) of the substrate (301), a step of forming, from the side of the second main surface (321), a groove section (309) that does not reach the nitride semiconductor (302) substantially in parallel with the scribe line (308), and a step of separating the semiconductor wafer (300) along the scribe line (308).

[Detailed Description of the Invention]

[0001]

[Technical Field to which the Invention belongs]

The present invention relates to a method of fabricating a light-emitting diode or a laser diode capable of emitting ultraviolet to orange light in addition to a group III-V semiconductor element that can be driven even at high temperatures, and, more particularly, relates to

a method of fabricating a nitride semiconductor element formed on a substrate.

[0002]

[Prior Art]

5 Nowadays, semiconductor elements that utilize nitride semiconductors with a high-energy bandgap ($\text{In}_x\text{Ga}_y\text{Al}_{1-x-y}\text{N}$, $0 \leq x$, $0 \leq y$, $x+y \leq 1$) are being developed. As examples of devices using nitride semiconductors, light-emitting diodes capable of emitting blue, green and
10 ultraviolet light respectively, and semiconductor lasers capable of emitting blue-violet light, have been reported. Further, a variety of semiconductor elements that are of high mechanical strength and can be driven stably even at high temperatures, and so forth, may be cited.

15 [0003] Normally, a semiconductor wafer laminated with semiconductor materials such as GaAs, GaP, and InGaAlAs is broken into chip shapes and used as semiconductor elements such as LED chips capable of emitting red, orange and yellow light, and so forth. Methods for breaking semiconductor
20 wafer into chip shapes involve usage of a dicer, diamond scribe, and so forth. A dicer is a device that either fully cuts the wafer by means of the rotational movement of a disc with a diamond-edged blade, or scores a groove (half cut) wider than the width of the blade edge and then performs
25 cutting by means of an external force. On the other hand, a diamond scribe is a device that draws extremely narrow

lines (scribe lines) in the form of cross cuts, for example, in the semiconductor wafer by means of a needle that is likewise diamond-tipped, or the like, and then performs cutting by means of an external force. Crystals with a zinc blende structure such as GaP, GaAs, and so forth, are

5

cleaved in a '110' direction. Hence, this property can be used to separate a semiconductor wafer of GaAs, GaAlAs, GaP, or the like, into the desired shape relatively easily. [0004] However, unlike a semiconductor element of GaAsP, GaP, InGaAlAs, or the like, which is formed on a semiconductor substrate of GaP, GaAlAs or GaAs, in the case of a semiconductor element employing a nitride semiconductor, it is difficult to form a single crystal. In order to obtain a single crystal film of a nitride semiconductor of good crystallinity, formation on a sapphire or spinel substrate takes place via a buffer layer by using MOCVD, HDVPE, or the like. A semiconductor element such as an LED chip must be formed by cutting and separating a nitride semiconductor layer formed on a sapphire substrate or similar to the desired size.

10

15

20

[0005] A nitride semiconductor that is deposited on sapphire, spinel, or the like, has a heteroepitaxial structure. The nitride semiconductor has a very irregular lattice constant in comparison with a sapphire substrate or similar. Further, the sapphire substrate has a single-crystal structure such as a hexagonal crystal

25

structure and because of this property, possesses no cleavage property. In addition, both the sapphire and nitride semiconductor are extremely hard substances with a Mohs hardness of about 9.

5 [0006] Therefore, cutting by means of a diamond scribe is difficult. Further, when a full cut is made by means of a dicer, cracks and chipping readily occur in the cut surfaces and hence a clean cut is not possible. In addition, depending on the case, partial detachment of the nitride
10 semiconductor layer from the substrate sometimes occurs.

[0007] If the semiconductor wafer can be separated accurately into chip shapes without damaging the crystallinity of the nitride semiconductor, the electrical characteristics and efficiency of the semiconductor
15 element can also be improved. Moreover, the productivity can be improved because a multiplicity of semiconductor chips can be obtained from a single semiconductor wafer.

[0008] For this reason, the nitride semiconductor wafer undergoes division to form each desired chip by combining
20 a diamond scribe and dicer, or similar. A method of performing this division into chips is described in Japanese Patent Application Laid Open No. H8-274371 and so forth. As a specific example, a method of fabricating a nitride semiconductor element is shown in Figs. 5(A) to
25 5(D). A semiconductor wafer (500) having a nitride semiconductor (502) formed on a sapphire substrate (501)

is shown in Fig. 5(A). A step of forming a groove section (509) by means of a dicer (not shown) from the lower side of the sapphire substrate to a depth that does not reach the nitride semiconductor layer is shown in Fig. 5(B). A
5 step of forming scribe lines (507) in groove sections (509) is shown in Fig. 5(C). A step of separating the semiconductor wafer (500) into chip-shaped semiconductor elements (510) after the scribing step is shown in Fig. 5(D). It is thus possible to achieve relatively clean cuts
10 without cracks and chipping occurring in the cut surfaces.
[0009]

[Problems which the Invention is intended to solve]

However, when scribe lines and so forth are formed in only one surface of the semiconductor wafer, there is a
15 tendency for cracks and chipping to occur readily in the other cut surface during division. Although the shape of one surface of the separated nitride semiconductor elements can be made uniform, variations arise in the shape of the other surface of the nitride semiconductor elements,
20 and therefore cracks and chipping readily occur in the semiconductor wafer. Therefore, when the semiconductor wafer is separated, there is the problem that it is extremely difficult to perform cutting while rendering the shape of the nitride semiconductor elements completely
25 uniform by controlling the splitting from the side of the semiconductor wafer where scribe lines are formed to the

side where no scribe lines are formed.

[0010] On the other hand, the splitting of the nitride semiconductor wafer can be controlled by forming scribe lines in both sides of the semiconductor wafer. However, in the formation of scribe lines in the two main surfaces of the nitride semiconductor wafer, a step in which the semiconductor wafer is turned over and re-secured while preventing the adhesion of dirt to the semiconductor wafer, and so forth, is required and hence mass-productibility is very poor. Moreover, because a semiconductor wafer having a nitride semiconductor formed on a sapphire substrate is very hard, there are frequent cases of wear and deterioration of the blade edge of the cutter of the diamond scriber, which generates fabrication costs arising from variations in the processing accuracy, and from exchanging the blade edge. In addition, when scribe lines are formed by means of a diamond scriber, the weighting of the diamond scriber must be changed in accordance with the wear of the blade edge. Further, in order to form scribe lines by means of a diamond scriber, the diamond blade edge must make contact at the appropriate angle in each case, which means there is the problem that mass-productibility is very poor.

[0011] Nowadays, at a time when the accurate formation of smaller nitride semiconductor elements with favorable mass-productibility is desirable, the abovementioned cutting methods are unsatisfactory and there is a demand

for superior methods for fabricating nitride semiconductor elements.

[0012] More particularly, if the semiconductor wafer can be separated correctly into chip shapes without damaging the crystallinity of the nitride semiconductor, the electrical characteristics, efficiency, and so forth, of the semiconductor element can be improved. Moreover, productivity is also improved because a multiplicity of nitride semiconductor elements can be obtained from a single wafer.

[0013] Therefore, the present invention further reduces the generation of cracks and chipping in the cut surfaces when a nitride semiconductor wafer is separated into chip shapes. Further, it is an object of the present invention to provide a fabrication method that forms, with favorable mass-producibility, nitride semiconductor elements that are separated into the desired size and shape with a high yield without damaging the crystallinity of the nitride semiconductor.

[0014]

[Means for Resolving the Problem]

The present invention is a method of fabricating a nitride semiconductor element (110) that splits a semiconductor wafer (100) having a nitride semiconductor (102) formed on a substrate (101) into nitride semiconductor elements (110). More particularly, the

nitride semiconductor fabrication method comprises a step
of radiating a laser beam, through the semiconductor wafer
(100) from the side of a first main surface (111) and/or
a second main surface (121) of the semiconductor wafer
5 (100) that comprises the first and second main surfaces,
to form a scribe line (103) at a focal point formed at least
on the side of the second main surface (121) of the
substrate (101) and/or the side of the first main surface
(111) of the substrate (101), and a step of separating the
10 semiconductor wafer along the scribe line.

[0015] In the nitride semiconductor element fabrication
method according to claim 2 of the present invention, the
first main surface (111) is the
nitride-semiconductor-deposition-layer side of the
15 semiconductor wafer (100) having the nitride semiconductor
(102) formed on only one side on the substrate (101), and
the second main surface (121) is a
substrate-exposure-surface side that lies opposite the
first main surface (111) via the semiconductor wafer (100).

20 [0016] In the nitride semiconductor element fabrication
method according to claim 3 of the present invention, the
scribe line is a recess (103) formed in the substrate
exposure surface.

[0017] In the nitride semiconductor element fabrication
25 method according to claim 4 of the present invention,
scribe lines are an affected layer (206) formed within the

substrate.

[0018] The nitride semiconductor element fabrication method according to claim 5 of the present invention comprises a step of forming a groove section (104) substantially parallel with the scribe line by means of at least one device selected from a diamond scriber, a dicer, and a laser beam machine in the side of the first main surface (111) and/or the side of the second main surface (121) of the semiconductor wafer (100) irradiated with a laser beam.

[0019] The nitride semiconductor element fabrication method according to claim 6 of the present invention is a nitride semiconductor element fabrication method that splits a semiconductor wafer (100) having a nitride semiconductor (102) formed on only one side of a substrate (101) into nitride semiconductor elements (110), comprising a step of radiating a laser beam, from the side of a first main surface (111) formed with the nitride semiconductor (102) of the semiconductor wafer (100) that comprises the first and second main surfaces, to form a scribe line (103) in the side of the second main surface (121), a step of forming, from the side of the first main surface (111), a groove section (104), that is substantially parallel with the scribe line (103) and reaches the surface of the substrate (101), and a step of separating the semiconductor wafer (100) along the scribe

line (103).

[0020] In the nitride semiconductor element fabrication method according to claim 7 of the present invention, the groove section (204) is formed in the surface on the side of the first main surface (211), at which the substrate is exposed beforehand.

[0021] The nitride semiconductor element fabrication method according to claim 8 of the present invention is a nitride semiconductor element fabrication method that splits a semiconductor wafer (300) having a nitride semiconductor (302) formed on only one side of a substrate (301) into nitride semiconductor elements (310), comprising a step of radiating a laser beam, from the side of a second main surface (321) that lies opposite a first main surface (311) formed with the nitride semiconductor (302) of the semiconductor wafer (300) that comprises the first and second main surfaces, to form a scribe line (308) in the side of the first main surface (311) of the substrate (301), a step of forming, from the side of the second main surface (321), a groove section (309) that does not reach the nitride semiconductor (302) substantially in parallel with the scribe line (308), and a step of separating the semiconductor wafer (300) along the scribe line (308).

[Embodiments of the Invention]

As a result of a variety of experiments, the present inventors arrived at the present invention by discovering

that, when a nitride semiconductor element is fabricated,
it is possible to fabricate a nitride semiconductor element
with superior mass-producibility without damaging the
semiconductor characteristics by radiating a laser beam
5 from a specified direction onto a specified location on the
semiconductor wafer.

[0022] That is, according to the method of the present
invention, scribe lines, which form a guide for the
division into nitride semiconductor elements, can be
10 formed at optional points other than on the laser radiation
side by transmitting [a laser beam] through the nitride
semiconductor wafer without damaging the nitride
semiconductor layer. More particularly, both sides of the
semiconductor wafer can be processed relatively simply
15 without subjecting the nitride semiconductor element to
adverse effects from the same side. The fabrication method
of the present invention will be described in detail
hereinbelow.

[0023] For the semiconductor wafer, a nitride
20 semiconductor layer with an LD (laser diode) constitution
is formed on a spinel substrate. More specifically,
laminated on the spinel substrate are a GaN buffer layer,
an n-type GaN contact layer, an n-type AlGa_N cladding layer,
an n-type GaN light guide layer, an InGa_N active layer,
25 which is a multiquantum well structure doped with Si and
in which the In composition is changed, a p-type AlGa_N

capping layer, a p-type GaN light guide layer, a p-type AlGaN cladding layer and p-type GaN contact layer. A CO₂ laser beam is radiated from the spinel substrate of the semiconductor wafer to form an affected layer as scribe lines at the interface between the nitride semiconductor layer and the spinel substrate. Grooves are then formed in the spinel substrate by means of a dicer, substantially in parallel with the scribe lines. Nitride semiconductor elements are formed by applying pressure along the grooves by means of a roller. All the edges of the nitride semiconductor elements thus separated are formed cleanly. The apparatus and so forth used in the process of the present invention will be described in detail hereinbelow. [0024] (Nitride semiconductor wafers 100, 200, 300, 400) The nitride semiconductor wafers 100, 200, 300, 400 have a nitride semiconductor 102 formed on a substrate 101. For the substrate 101 of the nitride semiconductor 102, a variety of single crystals of sapphire, spinel, silicon carbide, zinc oxide, gallium nitride, and so forth, may be cited. However, in order to form a nitride semiconductor layer of favorable crystallinity with good mass-producibility, a sapphire substrate or spinel substrate, or the like, is suitably used. The present invention works especially effectively because the sapphire substrate or similar has no cleavage property and is extremely hard. The nitride semiconductor may be formed

on one side of the substrate or on both sides thereof.

[0025] The nitride semiconductor ($\text{In}_x\text{Ga}_y\text{Al}_{1-x-y}\text{N}$, $0 \leq x$, $0 \leq y$, $x+y \leq 1$) can be formed in a variety of ways by means of MOCVD, HVPE, and so forth. The nitride semiconductor can be used as a semiconductor element by forming a PN junction, PIN junction, or MIS junction in the nitride semiconductor. A variety of junctions such as a homo junction, hetero junction, and double hetero junction can also be selected for the structure of the semiconductor. Furthermore, the semiconductor layer can also be a single quantum well structure or a multiquantum well structure rendered as a thin film permitting the generation of the quantum effect.

[0026] The nitride semiconductor has a relatively large bandgap and is thermally resistant. Therefore, the nitride semiconductor can be utilized as a variety of semiconductor elements such as light-emitting elements including a light-emitting diode that is capable of emitting light from ultraviolet to red, and a short-wavelength laser that can be used for a DVD or the like, as light-receiving elements such as a light sensor, or a solar cell with a relatively high electromotive force, or as heat-resistant transistors.

[0027] Although a variety of substrate thicknesses can be selected depending on the processing accuracy and output of the laser beam machine, when a large groove (deep groove) is formed by the laser beam, the groove sections and so

forth formed by the laser processing are preferably not formed too large from the point of view of the time taken in comparison with [processing by means of] a diamond scribe or dicer and the partial destruction caused by heating over a long period and so forth. Therefore, with mass-productibility in mind, in addition to forming the groove sections 104 in the semiconductor wafer by means of a laser, a variety of processes performed by a dicer, diamond scribe, and so forth, can be selected. Alternatively, formation can be implemented by means of a combination of such processes.

[0028] When a sapphire substrate laminated with a nitride semiconductor is separated, the thickness of the thinnest division section of the nitride semiconductor wafer is preferably 100 μm or less in order to achieve cutting of the cut edges with favorable mass-productibility. When the thickness is 100 μm or less, chipping, cracks, and so forth are small and division can be performed relatively easily. Although there is no particular lower-limit value for the substrate thickness, when the substrate is quite thin, the semiconductor wafer itself splits readily and mass-productibility is poor. The thickness is therefore preferably 30 μm or more. Further, in cases where the nitride semiconductor layer contains a thin film with a single quantum well structure, multiquantum well structure, or similar, the nitride semiconductor layer, which is

irradiated with a laser beam beforehand with the object of preventing damage to the semiconductor junction and semiconductor layer caused by laser radiation, can also be removed in advance by etching or the like. Various dry etching or wet etching processes can be used for the etching.

[0029] In the case of a nitride semiconductor wafer for a light-emitting diode, the substrate normally has a thickness from 300 μm to 500 μm , and a nitride semiconductor layer with a pn junction has a thickness of several μm to several tens of μm . Hence, most of the semiconductor wafer is taken up by the thickness of the substrate. The thickness of the substrate can be made thinner by polishing in order to simplify the laser processing. This polishing may be used to thin the semiconductor wafer after the nitride semiconductor has been formed or the nitride semiconductor can be formed on a substrate that has been polished thin.

[0030] Further, it is thought that the nitride semiconductor wafer irradiated with the laser beam becomes the recesses 103, 403 or the affected layer 206, 308, which is an assembly of microscopic microcracks, along which the focal-point radiation portion selectively flies. Further, with the total film thickness of the semiconductor wafer to be processed and separated serving as a reference, 'first main surface side' and 'second main surface side'

refer to optional positions oriented toward the first main surface or second main surface from half the total film thickness. Therefore, this may be on the surface of the semiconductor wafer or within the semiconductor wafer. In addition, the present invention may laser-process the center of the total film thickness of the semiconductor wafer in addition to laser-processing the first main surface side and/or second main surface side.

[0031] (Laser beam machine) The laser beam machine employed by the present invention may be one that is capable of forming grooves permitting division of the nitride semiconductor wafer, an affected layer, and so forth. More specifically, a CO₂ laser, YAG laser, excimer laser, and so forth, is suitably used.

[0032] The laser beam radiated by the laser beam machine is one that permits a variety of adjustments to the focal point as desired by means of a lens optical system or similar. Therefore, grooves, affected layers, and so forth, can be formed, without damaging the nitride semiconductor, at an optional focal point on the semiconductor wafer by means of laser radiation from the same direction. Further, the laser radiation surface can also be adjusted to the desired shape such as a perfect circle shape, an elliptical shape, or a rectangular shape by allowing [the laser beam] passage through a filter, and so forth.

[0033] For the formation of scribe lines by means of a laser

beam machine, the laser radiation device itself may be moved. Alternatively, the scribe lines can be formed by scanning the radiated laser beam alone by means of a mirror or the like. In addition, desired scribe lines can also be formed by driving a stage that holds the semiconductor wafer in a variety of ways such as up and down, from side to side or through 90 degrees. It is understood that, although this is described in detail in the embodiments of the present invention hereinbelow, the present invention is not limited to or by these embodiments alone.

[0034]

[Embodiment] (First Embodiment) A nitride semiconductor wafer is formed by laminating a nitride semiconductor by using MOCVD onto a substrate of washed sapphire with a thickness of 200 μm . The nitride semiconductor is deposited as a multilayered film capable of serving as a light-emitting element following the splitting of the substrate. First, a buffer layer with a thickness of about 200 angstroms is formed by allowing NH_3 (ammonia) gas and TMG (trimethyl gallium) gas, which are the source gases, and hydrogen gas, which is the carrier gas, to flow at 510°C.

[0035] Next, after halting the introduction of TMG gas, the temperature of the reactor is set at 1050°C and a GaN layer with a working thickness of approximately 4 μm is formed as an n-type contact layer by allowing NH_3 (ammonia) gas,

TMG gas, SiH_4 (silane) gas, which is the dopant gas, and hydrogen gas, which is the carrier gas to flow once again.

[0036] For the active layer, once, with the carrier gas alone, the temperature of the reactor has been held at 800°C ,

5 an undoped InGaN layer approximately 3 nm thick is deposited by allowing NH_3 (ammonia) gas, TMG gas, and TMI (trimethyl indium), which are the source gases, and hydrogen gas, which is the carrier gas, to flow.

[0037] In order to form the cladding layer on the active

10 layer, the introduction of source gases is halted and the temperature of the reactor is held at 1050°C , whereupon a

GaN layer that is approximately 0.1 μm thick is formed

as a p-type cladding layer by allowing NH_3 (ammonia) gas, TMA (trimethyl aluminum) gas, and TMG gas, which are the

15 source gases, Cp_2Mg (cyclopentadienylmagnesium) gas, which is the dopant gas, and hydrogen gas, which is the carrier gas, to flow.

[0038] Finally, the temperature of the reactor is held at

1050°C , and a GaN layer that is approximately 0.5 μm thick

20 is formed as a p-type contact layer by allowing NH_3 (ammonia) gas, TMG gas, which are the source gases, Cp_2Mg

gas, which is the dopant gas, and hydrogen gas, which is the carrier gas, to flow (Fig. 1(A)). (The p-type nitride semiconductor layer is annealed at 400°C or more).

25 The semiconductor wafer 100 thus formed is secured atop a table that is freely drivable in vertical and lateral

planar directions such that the formed nitride semiconductor 102 lies at the top. A laser beam (of wavelength 356 nm) is radiated from the side of the nitride semiconductor 102 formed on the sapphire substrate 101, the laser optical system being adjusted so that the focal point is substantially on the bottom surface of the sapphire substrate 101. By moving the stage while radiating the adjusted laser beam at 16 J/cm^2 , scribe lines 103 that are approximately 4 μm deep are formed vertically and horizontally in the bottom surface of the sapphire substrate 101. When viewed from the main surface of the nitride semiconductor wafer 100, the scribe lines 103 thus formed are formed to establish a size of approximately $350 \mu\text{m}$ squared for the nitride semiconductor elements 110 to be formed subsequently (Fig. 1(B)).

[0039] Next, groove sections 104, which extend from the upper surface of the nitride semiconductor 102 to the sapphire substrate 101, are formed in the semiconductor wafer 100 means of a dicer with the nitride semiconductor wafer still secured after substituting only the laser radiation portion of the laser beam machine for a dicing saw. The groove sections 104 formed by the dicer are formed in parallel with the scribe lines 103 formed by means of laser radiation, via the semiconductor wafer 100, such that the gap between the bottom surface of the groove section 104 and the bottom surface of the side of the sapphire

substrate 101 is then substantially uniform at 100 μ m (Fig. 1(C)).

[0040] A nitride semiconductor wafer can be cut and separated by allowing a load provided by a roller (not shown) to act along the scribe lines 103. A nitride semiconductor element 110 in which no chipping or cracks are present on any of the cut edges can thus be formed (Fig. 1(D)).

[0041] In the first embodiment, the scribe lines 103 are formed by means of a laser beam that is focused on the bottom surface of the sapphire substrate 101, which is the rear-surface side of the semiconductor wafer 100, and transmitted via the nitride semiconductor 102 and the sapphire substrate 101 rather than being focused on the surface side of the semiconductor wafer 100 where the nitride semiconductor 102 irradiated with the laser beam is formed.

[0042] By forming the groove sections 104, which extend from the main surface side (laser radiation side) of the semiconductor wafer 100 formed with the nitride semiconductor 102 to the sapphire substrate 101 or similar, the nitride semiconductor element 110 can be separated along the scribe lines 104 easily and accurately.

[0043] Further, because the scribe lines 103 are formed by means of a laser beam, costs arising from variations in the processing accuracy owing to wear and deterioration of a

cutter and from exchanging the blade edge, as in the case of a diamond scribe, can be reduced. Further, results similar to those achieved by processing from both sides of the semiconductor wafer are obtained by processing from only one side of the semiconductor wafer and a nitride semiconductor element 110 whose upper and rear surfaces both have a uniform shape can be fabricated, the fabrication yield is raised and shape variations can be reduced, and, especially, to the same extent, substitution can be reduced and the number of semiconductor elements yielded can be raised. In addition, because scribe lines 110 are formed in the surface of the sapphire substrate 101, scribe lines can be formed without processing waste produced by a laser beam adhering to the top of the nitride semiconductor 102.

[0044] (Second Embodiment) A semiconductor wafer, on which a plurality of island-shaped nitride semiconductor layers 205 is formed by etching a semiconductor wafer formed as per the first embodiment until the surface of the boundary with the sapphire substrate formed with groove sections is exposed from the side of the nitride semiconductor surface by means of RIE (Reactive Ion Etching), is used. Further, a mask for exposure of pn semiconductors during etching is formed and removed after the etching process. Further, electrodes 220 are formed on the pn semiconductor layers by sputtering (Fig. 2(A)).

[0045] The semiconductor wafer 200 is fixedly placed on a laser beam machine as per the first embodiment. So too in the second embodiment, the laser beam from the laser beam machine is radiated from the side of the nitride semiconductor 205 of the nitride semiconductor wafer and the laser optical system is adjusted so that the focal point is within a sapphire substrate 201 which is 20 „m from the bottom surface of the sapphire substrate. Scribe lines for the affected layer 206 are formed (Fig. 2(B)) within the substrate close to the bottom surface of the sapphire substrate by moving the stage while radiating the adjusted laser beam at 16 J/cm².

[0046] Next, the laser optical system (not shown) is readjusted so that the focal point is then on the upper surface (formation surface side of the nitride semiconductor) of the sapphire substrate 201 exposed by means of etching. By moving the stage while radiating the adjusted laser beam, grooves that reach the sapphire substrate are formed in the semiconductor wafer from the upper surface of the nitride-semiconductor-layer side thereof. The grooves 204 thus formed are formed substantially in parallel with the affected layer 206 via the sapphire substrate 201. Further, the grooves 204 in the sapphire substrate 201 formed by means of laser radiation are adjusted so that the gap between the bottom surface of the groove and the bottom surface of the sapphire

substrate is substantially uniform at approximately 100 „m. In addition, the laser optical system is re-adjusted so that the focal point is then on the bottom surface of the groove provided in the sapphire substrate 201. Scribe lines 207 with a depth of approximately 3 „m are formed (Fig. 2(C)) in the bottom surface of the grooves 204 provided in the exposure surface of the sapphire substrate formed with the nitride semiconductor by moving the stage while radiating the adjusted laser beam at 14 J/cm².

[0047] Next, by allowing a load provided by a roller to act along the grooves (scribe lines), the semiconductor wafer is cut and LED chips 210 are separated (Fig. 2(D)).

[0048] When the LED chips thus formed are supplied with electrical power, all the LED chips are capable of emitting light and barely any chipping was produced in the cut edges of the LED chips. The yield was 98% or more.

[0049] In the second embodiment, by forming scribe lines in both the surface and rear surface of the substrate by means of a laser beam from the side of one surface of the semiconductor wafer, the nitride semiconductor element can be easily separated along scribe lines even in the case of a thick nitride semiconductor wafer. Further, because the sections formed with grooves are etched as far as the sapphire substrate, the damage to the nitride semiconductor resulting from the groove formation is further reduced, meaning that the reliability of the

nitride semiconductor element following division can be improved. More particularly, when scribe lines are formed, the semiconductor wafer is secured after the focal point of the laser is within the sapphire substrate. Processing can thus be implemented without damaging the table or adhesive sheet. Further, the generation of processing waste resulting from laser radiation does not take place. Thus, nitride semiconductor elements can be formed with favorable mass-productibility as per the present invention even when all the grooves are formed by means of a dicer rather than by laser processing.

[0050] Grooves and scribe lines can be processed by means of a laser beam without making contact with the nitride semiconductor wafer. For this reason, costs arising from variations in processing accuracy due to wear and deterioration of the blade and cutter and from exchanging the blade edge can be reduced. Further, results similar to those achieved by processing from both sides of the semiconductor wafer are obtained by processing from only one side of the semiconductor wafer and a semiconductor chip with a uniform shape can be fabricated. The fabrication yield can be raised and shape variations can be reduced, and, to the same extent, substitution can be reduced and the number of semiconductor elements yielded from the nitride semiconductor wafer can be raised.

[0051] In addition, narrower grooves can be formed by also

forming grooves from the surface of the semiconductor layer by means of a laser beam. Hence, the number of chips yielded from the nitride semiconductor wafer can be raised still further.

5 [0052] (Third Embodiment) A semiconductor wafer 300 formed similarly to the first embodiment is provided with a mirror finish by polishing a sapphire substrate 301 beforehand to 80 μ m. This semiconductor wafer is fixedly placed on the stage of the laser beam machine (Fig. 3(A)) as per the first
10 embodiment, with the surface of the sapphire substrate 301, on which a nitride semiconductor 302 is not laminated, at the top.

[0053] In the third embodiment, a laser beam from a laser beam machine (not shown) is radiated from the side of the
15 sapphire substrate 301 (substrate-exposure-surface side) not formed with the nitride semiconductor 302 of the nitride semiconductor wafer 300, the laser optical system being adjusted so that the focal point is at the interface between the nitride semiconductor 302 and sapphire
20 substrate 301. Scribe lines for the affected layer 308 are formed as first scribe lines vertically and horizontally (Fig. 3(B)) close to the interface between the nitride semiconductor 302 and the sapphire substrate 301 that contacts the nitride semiconductor by radiating a laser
25 beam while driving the stage.

[0054] Next, groove sections 309, which extend from the

bottom face side of the sapphire substrate not laminated
with a nitride semiconductor but not reaching the surface
of the nitride semiconductor, are formed with a blade
rotational speed of 30,000 rpm and of a cutting speed of
5 3 mm/sec by means of a dicer with the nitride semiconductor
wafer still secured by substituting the laser radiation
portion of the laser beam machine alone with a dicing saw
(not shown). The grooves formed by means of the dicer are
provided vertically and horizontally substantially in
10 parallel with the affected layer 308 and are formed such
that the gap between the bottom surface of the groove
sections 309 and the bottom surface of the sapphire
substrate is substantially uniform at 50 μ m. Further, the
dicing saw is substituted with the laser beam machine and
15 the focal point of the laser beam is aligned with the bottom
surface of the groove sections 309 formed by means of the
dicer. Second scribe lines 307 with a depth of
approximately 3 μ m are thus formed (Fig. 3(C)) in the bottom
surface of the groove sections 309 formed in the sapphire
20 substrate 301 by means of laser radiation.

[0055] The nitride semiconductor wafer is cut and separated
by allowing a load provided by a roller (not shown) to act
along the second scribe lines 307, whereby nitride
semiconductor elements 310 are formed (Fig. 3(D)). There
25 was barely any chipping of the cut edges of the nitride
semiconductor elements thus formed.

[0056] The method described in the third embodiment permits separation of nitride semiconductor elements 310 easily and accurately along the scribe lines formed by means of the laser beam by separately forming groove sections 309 that extend from the side of the rear surface of the sapphire substrate 301 or similar but do not reach the nitride semiconductor 302. Therefore, a nitride semiconductor element, whose upper and rear surfaces both have a uniform shape, can be provided and the product yield can be improved. Further, the formation of the first and second scribe lines by means of laser processing can also be performed after processing with a dicer. Processing with a dicer can also be executed after the formation of the first and second scribe lines.

[0057] Because the formation of the scribe lines is performed by means of a laser beam, costs arising from variations in the processing accuracy owing to wear and deterioration of the cutter of the diamond scribe and from exchanging the blade edge can be reduced. Further, results similar to those achieved by processing from both sides of the semiconductor wafer are obtained by processing from only side of the semiconductor wafer without turning over the nitride semiconductor wafer. Semiconductor chips of uniform shape can be fabricated, and the fabrication yield can be raised and shape variations reduced, and therefore substitution can be reduced and the number of semiconductor

chips yielded from the nitride semiconductor wafer can be raised. In addition, processing waste produced by laser processing does not adhere to the surface of the nitride semiconductor.

5 [0058] (Fourth Embodiment) A semiconductor wafer 400, on which a plurality of island-shaped nitride semiconductors 405 are formed by etching a semiconductor wafer formed as per the first embodiment until the surface of the boundary of the sapphire substrate 401 formed with grooves is
10 exposed from the side of the nitride semiconductor surface by means of RIE (Reactive Ion Etching), is used. Further, a mask for exposure of pn semiconductors during etching is formed and removed after the etching process. Further, electrodes 420 are formed on the pn semiconductor layers
15 by sputtering. The sapphire substrate 401 of the semiconductor wafer 400 is provided with a mirror finish by polishing the sapphire substrate 401 to 100 μm (Fig 4(A)).

[0059] The semiconductor wafer 400 is fixedly placed on a
20 laser beam machine (not shown) as per the first embodiment, with the sapphire substrate 401, on which no nitride semiconductor is laminated, at the top. In the fourth embodiment, the laser beam of the laser beam machine is radiated from the side of the sapphire substrate 401 not
25 formed with the nitride semiconductor 405 of the semiconductor wafer (400), the laser optical system (not

shown) being adjusted so that the focal point is close to the surface of the surface side of the sapphire substrate (substrate is pre-exposed) laminated with the nitride semiconductor 405. First scribe lines 403 with a depth of approximately 4 μm are formed vertically and horizontally (Fig. 4(B)) in the sapphire substrate 401 by means of laser scanning.

[0060] Next, by scanning a laser beam after re-adjusting the laser optical system, groove section 409 that extend from the side of the sapphire substrate 401 but do not reach the surface of the nitride semiconductor 405 are formed in the nitride semiconductor wafer along the first scribe lines 403. By means of laser scanning after re-adjusting the laser optical system, second scribe lines with a depth of approximately 3 μm are formed in the bottom surface of the grooves (Fig. 4(C)).

[0061] The nitride semiconductor wafer is separated by allowing a load provided by a roller (not shown) to act along the scribe lines, whereby nitride semiconductor elements 410 are formed (Fig. 4(D)).

[0062] When the LED chips, which are the separated nitride semiconductor elements, are supplied with electrical power, all the LED chips are capable of emitting light, and a check of the edges thereof reveals barely any chipping or cracks. The yield was 98% or more.

[0063] Because the formation of the scribe lines is

performed by means of a laser beam, costs arising from variations in the processing accuracy owing to wear and deterioration of the cutter of the diamond scribe and from exchanging the blade edge can be reduced. Further, results

5 similar to those achieved by processing from both sides of the semiconductor wafer are obtained by processing from only side of the nitride semiconductor wafer.

Semiconductor elements of uniform shape can be fabricated, and the fabrication yield can be raised and shape variations reduced, and, to the same extent, substitution can be reduced and the number of semiconductor chips yielded from the nitride semiconductor wafer can be raised.

10 [0064] (Fifth Embodiment) Except for the use of an excimer laser instead of the YAG laser radiation of the first embodiment, the semiconductor wafer is separated to form LED chips as per the first embodiment. When the semiconductor wafer is separated as per the first embodiment, division is possible without turning over the semiconductor wafer. Further, all the cut edges of the LED

15 chips thus formed are capable of light emission and have clean surfaces free of chipping and cracks.

20 [0065] (Comparative Example 1) Other than scribing being repeated three times by means of a diamond scribe rather than by laser processing, the semiconductor wafer is separated as per the first embodiment. The separated

25 nitride semiconductor elements of Comparative Example 1

exhibited partial cracking. Further, the yield was approximately 84% or less due to splitting. Further, labor such as turning over the semiconductor wafer was necessary for the formation of scribe lines and grooves by means of a dicer in the two sides of the semiconductor wafer, and, hence, productivity was very poor and the production time was approximately 1.5 times longer.

[0066]

[Effects of the Invention]

According to the method of fabricating a nitride semiconductor element of the present invention, the energy can be concentrated in the neighborhood of the desired focal point by focusing the laser beam radiated by the laser source by means of a lens optical system or similar. The work processing is executed at the focal point at which the energy concentration is extremely high. More particularly, the focal point of a laser that has been transmitted by a nitride semiconductor wafer is utilized. A laser beam, which is adjusted by means of the optical system, is radiated onto a nitride semiconductor wafer, which is a part not requiring division, and processing can be freely performed on the laser radiation surface of the nitride semiconductor wafer as far as the surface on the opposite side of the semiconductor wafer without damaging the required nitride semiconductor layer.

[0067] Therefore, because the present invention uses

processing at the desired focal point following
transmission [of the laser beam] by the nitride
semiconductor wafer, the nitride semiconductor wafer need
not be processed from both sides, and it is possible to
5 obtain the same results as those achieved by processing
from the surface and rear surface of the nitride
semiconductor wafer by means of processing from only one
side. It is therefore possible to further increase the
yield and provide nitride semiconductor elements with
10 small variations in shape and a fabrication method with
favorable mass-producibility for the nitride
semiconductor elements.

[0068]

[Brief Description of the drawings]

15 [Fig. 1] Fig. 1 is a schematic partial cross-sectional view
of the semiconductor-wafer division method according to
the first embodiment of the present invention.

[0069]

20 [Fig. 2] Fig. 2 is a schematic partial cross-sectional view
of the semiconductor-wafer division method according to
the second embodiment of the present invention.

[0070]

25 [Fig. 3] Fig. 3 is a schematic partial cross-sectional view
of the semiconductor-wafer division method according to
the third embodiment of the present invention.

[0071]

[Fig. 4] Fig. 4 is a schematic partial cross-sectional view of the semiconductor-wafer division method according to the fourth embodiment of the present invention.

[0072]

5 [Fig. 5] Fig. 5 is a schematic partial cross-sectional view of a nitride semiconductor-wafer cutting method, which is shown for the purpose of a comparison with the present invention.

[0073]

10 [Explanation of the reference symbols]

100, 200, 300, 400: semiconductor wafer

101, 201, 301, 401: substrate

102, 302: nitride semiconductor layer

103, 403: scribe lines formed in the substrate surface

15 104, 204: groove sections formed in the sapphire substrate from the surface of the semiconductor layer

205, 405: island-shaped nitride semiconductor layers

206: scribe lines for the affected layer formed within the substrate

20 207, 307, 407: scribe lines formed in the bottom surface of the groove sections

308: scribe lines formed at the boundary between the semiconductor layer and substrate

309, 409: groove sections formed in the sapphire substrate

25 110, 210, 310, 410: nitride semiconductor element

111, 211, 311, 411: first main surface

121, 221, 321, 421: second main surface
220, 420: electrode
500: semiconductor wafer
501: substrate
5 502: nitride semiconductor layer
507: scribe lines formed in the bottom surface of the groove
509: groove sections formed in the sapphire substrate
510: nitride semiconductor element

Translator's Notes

1. マイクロ・クロック in line 3 of [0030] should probably
5 read マイクロクラック and has been rendered as such.

2. シクロペンタジエルマグシウム in line 5 of [0037] should
probably read シクロペンタディエニルマグネシウム and has been
rendered as such.

- 10 3. スクライブ・ライン104 in the fourth line of [0042]
should probably read スクライブ・ライン103.

(19) 日本国特許庁 (J P)

(12) 公開特許公報 (A)

(11) 特許出願公開番号

特開平11-163403

(43) 公開日 平成11年(1999) 6月18日

(51) Int.Cl.⁸

H 0 1 L 33/00
21/301

識別記号

F I

H 0 1 L 33/00
21/78

C
L

審査請求 未請求 請求項の数 8 O L (全 10 頁)

(21) 出願番号 特願平9-328665

(22) 出願日 平成9年(1997)11月28日

(71) 出願人 000226057

日亜化学工業株式会社
徳島県阿南市上中町岡491番地100

(72) 発明者 庄野 博文

徳島県阿南市上中町岡491番地100 日亜化学工業株式会社内

(72) 発明者 豊田 達憲

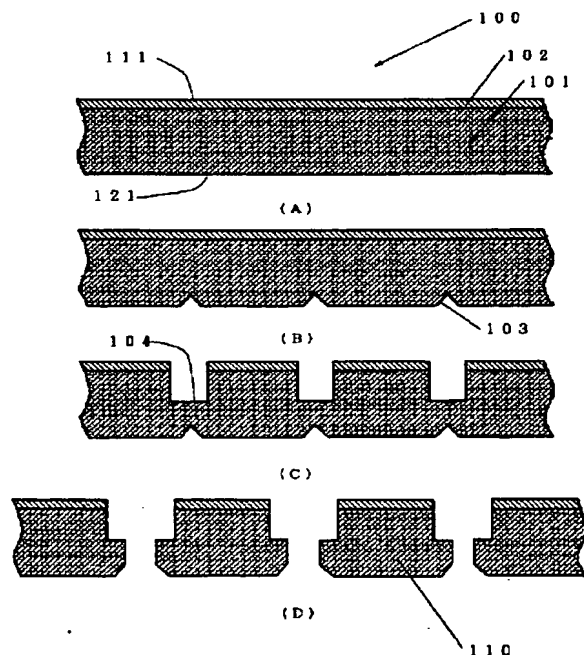
徳島県阿南市上中町岡491番地100 日亜化学工業株式会社内

(54) 【発明の名称】 窒化物半導体素子の製造方法

(57) 【要約】

【課題】 紫外域から橙色まで発光可能な発光ダイオードやレーザーダイオード更には、高温においても駆動可能な3-5族半導体素子の製造方法に係わり、特に、歩留まりよく基板上に形成された窒化物半導体素子を分離可能な窒化物半導体素子の製造方法を提供する。

【解決手段】 基板(101)上に窒化物半導体(102)が形成された半導体ウエハー(100)を窒化物半導体素子(110)に分割する窒化物半導体素子(110)の製造方法であり、特に半導体ウエハー(100)は第1及び第2の主面を有し第1の主面(111)側及び/又は第2の主面(121)側からレーザーを半導体ウエハー(100)を介して照射し少なくとも基板(101)の第2の主面(121)側及び/又は基板(101)の第1の主面(111)側に形成された焦点にスクライプ・ライン(103)を形成する工程と、スクライプ・ラインに沿って半導体ウエハーを分離する工程とを有する。



【特許請求の範囲】

【請求項 1】基板(101)上に窒化物半導体(102)が形成された半導体ウェハ(100)を窒化物半導体素子(110)に分割する窒化物半導体素子(110)の製造方法であって、前記半導体ウェハ(100)は第 1 及び第 2 の主面を有し、該第 1 の主面(111)側及び/又は第 2 の主面(121)側からレーザーを前記半導体ウェハ(100)を介して照射し、少なくとも前記基板(101)の第 2 の主面(121)側及び/又は前記基板(101)の第 1 の主面(111)側に形成された焦点にスクライブ・ライン(103)を形成する工程と、前記スクライブ・ラインに沿って半導体ウェハを分離する工程とを有することを特徴とする窒化物半導体素子の製造方法。

【請求項 2】前記第 1 の主面(111)は基板(101)上の一方向にのみ窒化物半導体(102)が形成された半導体ウェハ(100)の窒化物半導体積層側であり、第 2 の主面(121)は半導体ウェハ(100)を介して第 1 の主面(111)と対向する基板露出面側である請求項 1 に記載された窒化物半導体素子の製造方法。

【請求項 3】前記スクライブ・ラインは基板露出面に形成された凹部(103)である請求項 1 に記載された窒化物半導体素子の製造方法。

【請求項 4】前記スクライブ・ラインは基板内部に形成された加工変質層(206)である請求項 1 に記載された窒化物半導体素子の製造方法。

【請求項 5】レーザーが照射される前記半導体ウェハ(100)の第 1 の主面(111)側及び/又は第 2 の主面(121)側にダイヤモンドスクライバー、ダイサー、レーザー加工機から選択される少なくとも 1 種によって前記スクライブ・ラインと略平行の溝部(104)を形成する工程を有する請求項 1 に記載された窒化物半導体素子の製造方法。

【請求項 6】基板(101)上の一方向にのみ窒化物半導体(102)が形成された半導体ウェハ(100)を窒化物半導体素子(110)に分割する窒化物半導体素子の製造方法であって、第 1 及び第 2 の主面を有する半導体ウェハ(100)の窒化物半導体(102)が形成された第 1 の主面(111)側からレーザーを照射して第 2 の主面(121)側にスクライブ・ライン(103)を形成する工程と、前記第 1 の主面(111)側から前記スクライブ・ライン(103)と略平行であり基板(101)表面に達する溝部(104)を形成する工程と、前記スクライブ・ライン(103)に沿って半導体ウェハ(100)を分離する工程とを有することを特徴とする窒化物半導体素子の製造方法。

【請求項 7】前記溝部(204)は第 1 の主面(211)側の予め基板が露出された表面に形成される請求項 6 に記載された窒化物半導体素子の製造方法。

【請求項 8】基板(301)上の一方向にのみ窒化物半導体(30

2)が形成された半導体ウェハ(300)を窒化物半導体素子(310)に分割する窒化物半導体素子の製造方法であって、

第 1 及び第 2 の主面を有する半導体ウェハ(300)の窒化物半導体(302)が形成された第 1 の主面(311)と対向する第 2 の主面(321)側からレーザーを照射して基板(301)の第 1 の主面(311)側にスクライブ・ライン(308)を形成する工程と、

前記第 2 の主面(321)側から窒化物半導体(302)に達しない溝部(309)を前記スクライブ・ライン(308)と略平行に形成する工程と、

前記スクライブ・ライン(308)に沿って前記半導体ウェハ(300)を分離する工程とを有することを特徴とする窒化物半導体素子の製造方法。

15 【発明の詳細な説明】

【0001】

【発明の属する技術分野】本発明は紫外域から橙色まで発光可能な発光ダイオードやレーザーダイオード、更には高温においても駆動可能な 3-5 族半導体素子の製造方法に係わり、特に、基板上に形成された窒化物半導体素子の製造方法に関する。

【0002】

【従来技術】今日、高エネルギーバンドギャップを有する窒化物半導体 ($\text{In}_x\text{Ga}_y\text{Al}_{1-x-y}\text{N}$, $0 \leq x$, $0 \leq y$, $x+y \leq 1$) を利用した半導体素子が開発されつつある。窒化物半導体を利用したデバイス例として、青色、緑色や紫外がそれぞれ発光可能な発光ダイオードや青紫光が発光可能な半導体レーザが報告されている。更には高温においても安定駆動可能且つ機械的強度が高い各種半導体素子などが挙げられる。

【0003】通常、 GaAs 、 GaP や InGaAlAs などの半導体材料が積層された半導体ウェハは、チップ状に切り出され赤色、橙色、黄色などが発光可能な LEDチップなどの半導体素子として利用される。半導体ウェハからチップ状に切り出す方法としては、ダイサー、やダイヤモンドスクライバーが用いられる。ダイサーとは刃先をダイヤモンドとする円盤の回転運動によりウェハをフルカットするか、又は刃先巾よりも広い巾の溝を切り込んだ後(ハーフカット)、外力によりカットする装置である。一方、ダイヤモンドスクライバーとは同じく先端をダイヤモンドとする針などにより半導体ウェハに極めて細い線(スクライブ・ライン)を例えば基盤目状に引いた後、外力によってカットする装置である。 GaP や GaAs 等のせん亜鉛構造の結晶は、へき開性が「110」方向にある。そのため、この性質を利用して GaAs 、 GaAlAs 、 GaP などの半導体ウェハを比較的簡単に所望形状に分離することができる。

【0004】しかしながら、窒化物半導体を利用した半導体素子は、 GaP 、 GaAlAs や GaAs 半導体基

板上に形成させたGaAsP、GaPやInGaAlAsなどの半導体素子とは異なり単結晶を形成させることが難しい。結晶性の良い窒化物半導体の単結晶膜を得るためには、MOCVD法やHDVPE法などを用いサファイアやスピネル基板など上にバッファ層を介して形成させることが行われている。サファイア基板などの上に形成された窒化物半導体層を所望の大きさに切断分離することによりLEDチップなど半導体素子を形成させなければならない。

【0005】サファイアやスピネルなどに積層される窒化物半導体はヘテロエピ構造である。窒化物半導体はサファイア基板などとは格子定数不整が大きい。また、サファイア基板は六方晶系という結晶構造を有しており、その性質上へき開性を有していない。さらに、サファイア、窒化物半導体ともモース硬度がほぼ9と非常に硬い物質である。

【0006】したがって、ダイヤモンドスクライバーで切断することは困難であった。また、ダイサーでフルカットすると、その切断面にクラック、チッピングが発生しやすく綺麗に切断できなかつた。また、場合によっては基板から窒化物半導体層が部分的に剥離する場合があった。

【0007】窒化物半導体の結晶性を損傷することなく半導体ウェハーを正確にチップ状に分離することができれば、半導体素子の電気特性や効率を向上させることができる。しかも、1枚の半導体ウェハーから多くの半導体チップを得ることができるため生産性をも向上させられる。

【0008】そのため窒化物半導体ウェハーはダイヤモンドスクライバーやダイサーを組み合わせることで所望のチップごとに分離することが行われている。チップごとの分離方法として特開平8-274371号などに記載されている。具体的一例として、図5(A)から図5(D)に窒化物半導体素子の製造方法を示す。サファイア基板(501)上に窒化物半導体層(502)が形成された半導体ウェハー(500)を図5(A)に示している。サファイア基板下面側から窒化物半導体層に達しない深さでダイサー(不示図)による溝部(509)を形成する工程を図5(B)に示している。溝部(509)にスクライブ・ライン(507)を形成する工程を図5(C)に示してある。スクライブ工程の後半導体ウェハー(500)をチップ状の半導体発光素子(510)に分離する分離工程を図5(D)に示してある。これにより、切断面のクラック、チッピングが発生することなく比較的綺麗に切断することができるとされている。

【0009】

【発明が解決しようとする課題】しかしながら、半導体ウェハーの一方のみにスクライブ・ラインなどを形成させると分離時に他方の切断面にクラック、チッピングが発生しやすい傾向にある。分離された窒化物半導体素子

の一面形状は揃えることが可能であるが、窒化物半導体素子の他方の表面形状ではバラツキが発生し、半導体ウェハーにクラックやチッピングが生じやすい。したがって、半導体ウェハーを分離するときに、スクライブ・

05 ライン形成面側から形成されていない半導体ウェハー面側への割れかたを制御し完全に窒化物半導体素子の形状を揃えて切断することは極めて難しいという問題を有する。

【0010】他方、半導体ウェハーの両面にスクライブ・

10 ラインを形成させ窒化物半導体ウェハーの割れ方を制御することは可能である。しかし、窒化物半導体ウェハーの両主面にスクライブ・ラインを形成するには半導体ウェハーをゴミの付着などを防止しつつ、ひっくり返し再度固定する工程が必要となり極めて量産性が悪くなる。また、サファイア基板上に形成された窒化物半導体の半導体ウェハー硬度は極めて高くダイヤモンドスクライバーのカッター刃先などの消耗、劣化が多くなり加工精度のバラツキ、刃先交換の為に製造コストが発生する。さらには、ダイヤモンドスクライバーでスクライブ・

15 ラインを形成させると刃先の磨耗に応じてダイヤモンドスクライバーの加重を変えなければならない。また、ダイヤモンドスクライバーによりスクライブ・ラインを形成させるためにはそのダイヤモンドの刃先ごとに適した角度で接触させなければならないという問題を有する。

【0011】より小さい窒化物半導体素子を正確に量産性よく形成させることが望まれる今日においては上記切断方法においては十分ではなく、より優れた窒化物半導体素子の製造方法が求められている。

【0012】特に、窒化物半導体の結晶性を損傷することなく半導体ウェハーを正確にチップ状に分離することができれば、半導体素子の電気特性や効率を向上させることができる。しかも、1枚のウェハーから多くの窒化物半導体素子を得ることができるため生産性をも向上させられる。

【0013】したがって、本発明は窒化物半導体ウェハーをチップ状に分離するに際し、切断面のクラック、チッピングの発生をより少なくする。また、窒化物半導体の結晶性を損なうことなく、かつ歩留まりよく所望の

40 形、サイズに分離された窒化物半導体素子を量産性良く形成する製造方法を提供することを目的とするものである。

【0014】

【課題を解決するための手段】本発明は、基板(101)上に窒化物半導体(102)が形成された半導体ウェハー(100)を窒化物半導体素子(110)に分割する窒化物半導体素子(110)の製造方法である。特に、半導体ウェハー(100)は第1及び第2の主面を有し第1の主面(111)側及び/又は第2の主面(121)側からレーザーを半導体ウェハー(100)を介して照射し少なくとも基板(101)の第2の主面(12

50

1)側及び/又は基板(101)の第1の主面(111)側に形成された焦点にスクライブ・ライン(103)を形成する工程と、スクライブ・ラインに沿って半導体ウェハーを分離する工程とを有する窒化物半導体素子の製造方法である。

【0015】本発明の請求項2に記載された窒化物半導体素子の製造方法においては、第1の主面(111)が基板(101)上の一方にのみ窒化物半導体(102)が形成された半導体ウェハー(100)の窒化物半導体積層側であり、第2の主面(121)が半導体ウェハー(100)を介して第1の主面(111)と対向する基板露出面側である。

【0016】本発明の請求項3に記載された窒化物半導体素子の製造方法において、スクライブ・ラインが基板露出面に形成された凹部(103)である。

【0017】本発明の請求項4に記載された窒化物半導体素子の製造方法においては、スクライブ・ラインが基板内部に形成された加工変質層(206)である。

【0018】本発明の請求項5に記載された窒化物半導体素子の製造方法においては、レーザーが照射される半導体ウェハー(100)の第1の主面(111)側及び/又は第2の主面(121)側にダイヤモンドスクライバー、ダイサー、レーザー加工機から選択される少なくとも1種によってスクライブ・ラインと略平行の溝部(104)を形成する工程を有する。

【0019】本発明の請求項6に記載の窒化物半導体素子の製造方法は、基板(101)上の一方にのみ窒化物半導体(102)が形成された半導体ウェハー(100)を窒化物半導体素子(110)に分割する窒化物半導体素子の製造方法であって、第1及び第2の主面を有する半導体ウェハー(100)の窒化物半導体(102)が形成された第1の主面(111)側からレーザーを照射して第2の主面(121)側にスクライブ・ライン(103)を形成する工程と、第1の主面(111)側からスクライブ・ライン(103)と略平行であり基板(101)表面に達する溝部(104)を形成する工程と、スクライブ・ライン(103)に沿って半導体ウェハー(100)を分離する工程とを有する。

【0020】本発明の請求項7に記載の窒化物半導体素子の製造方法においては、溝部(204)が第1の主面(211)側の予め基板が露出された表面に形成される。

【0021】本発明の請求項8に記載の窒化物半導体素子の製造方法は、基板(301)上の一方にのみ窒化物半導体(302)が形成された半導体ウェハー(300)を窒化物半導体素子(310)に分割する窒化物半導体素子の製造方法であって、第1及び第2の主面を有する半導体ウェハー(300)の窒化物半導体(302)が形成された第1の主面(311)と対向する第2の主面(321)側からレーザーを照射して基板(301)の第1の主面(311)側にスクライブ・ライン(308)を形成する工程と、第2の主面(321)側から窒化物半導体(302)に達しない溝部(309)をスクライブ・ライン(308)と略平行に形成する工程と、スクライブ・ライン(30

8)に沿って半導体ウェハー(300)を分離する工程とを有する

【発明の実施の形態】本発明者らは種々実験の結果、窒化物半導体素子を製造する場合において半導体ウェハーの特定箇所に特定方向からレーザーを照射することにより、半導体特性を損傷することなく量産性に優れた窒化物半導体素子を製造することができることを見だし本発明を成すに到った。

【0022】即ち、本発明の方法により窒化物半導体素子の分離ガイドとなるスクライブ・ラインを窒化物半導体層を損傷することなく窒化物半導体ウェハーを透過してレーザー照射面側以外の任意の点に形成することができる。特に、同一面側から窒化物半導体素子に悪影響を引き起こすことなく半導体ウェハーの両面を比較的簡単に加工することができる。以下、本発明の製造方法について詳述する。

【0023】半導体ウェハーとして、LD (laser diode) となる構成の窒化物半導体層をスピネル基板上に形成させた。具体的には、スピネル基板上に、GaNのバッファー層、n型GaNのコンタクト層、n型AlGaNのクラッド層、n型GaNの光ガイド層、SiをドープしInの組成を変化させた多重量子井戸構造となるInGaNの活性層、p型AlGaNのキャップ層、p型GaNの光ガイド層、p型AlGaNのクラッド層及びp型GaNのコンタクト層が積層されている。この半導体ウェハーのスピネル基板側からCO₂レーザーを照射して窒化物半導体層とスピネル基板の界面に加工変質層をスクライブ・ラインとして形成させた。スクライブ・ラインと略平行にダイサーによりスピネル基板上に溝を形成させる。ローラーにより溝に沿って加圧することで窒化物半導体素子を形成させた。分離された窒化物半導体素子は何れも端面が綺麗に形成されている。以下、本発明の工程に用いられる装置などについて詳述する。

【0024】(窒化物半導体ウェハー100、200、300、400)窒化物半導体ウェハー100、200、300、400としては、基板101上に窒化物半導体102が形成されたものである。窒化物半導体102の基板101としては、サファイア、スピネル、炭化珪素、酸化亜鉛や窒化ガリウム単結晶など種々のものが挙げられるが量産性よく結晶性の良い窒化物半導体層を形成させるためにはサファイア基板、スピネル基板などが好適に用いられる。サファイア基板などは劈開性がなく極めて硬いため本発明が特に有効に働くこととなる。窒化物半導体は基板の一方に形成させても良いし両面に形成させることもできる。

【0025】窒化物半導体($\text{In}_x\text{Ga}_y\text{Al}_{1-x-y}\text{N}$ 、 $0 \leq x$ 、 $0 \leq y$ 、 $x+y \leq 1$)はMOCVD法やHVPE法などにより種々形成することができる。窒化物半導体にPN接合、PIN接合、MIS接合を形成させることにより半導体素子として利用することができる。半導

体の構造もホモ接合、ヘテロ接合やダブルヘテロ接合など種々選択することができる。また、半導体層を量子効果が生じる程度の薄膜とした単一量子井戸構造や多重量子井戸構造とすることもできる。

【0026】窒化物半導体はバンドギャップが比較的大きく熱に強いことから紫外から赤色系まで発光可能な発光ダイオード、DVDなどに利用可能な短波長レーザーなどの発光素子、光センサーや比較的高起電力を有する太陽電池などの受光素子、耐熱性を持つトランジスターなど種々の半導体素子として利用することができる。

【0027】基板の厚さとしてはレーザー加工機の加工精度や出力により種々選択することができるがレーザーにより大きい溝（深い溝）を形成させる場合はダイヤモンドスクライバーやダイサーに比べて時間が掛かること及び長時間の加熱による部分的な破壊などの観点からレーザー加工による溝などを大きくさせすぎないことが好ましい。したがって、半導体ウエハーに形成される溝部104はレーザーによる他、量産性等を考慮してダイサーやダイヤモンドスクライバーにより種々選択することができる。或いはそれらの組み合わせにより形成させることができる。

【0028】窒化物半導体が積層されたサファイア基板を分離させる場合、切断端面を量産性良く切断させるために窒化物半導体ウエハーの最も薄い分離部の厚みは100 μ m以下が好ましい。100 μ m以下だとチップングやクラックなどが少なく比較的容易に分離することができる。基板の厚さの下限値は特に問わないが、あまり薄くすると半導体ウエハー自体が割れやすく量産性が悪くなるため30 μ m以上が好ましい。また、窒化物半導体層が単一量子井戸構造や多重量子井戸構造などの薄膜を含む場合、レーザー照射による半導体接合や半導体層の損傷を防ぐ目的で予めレーザーが照射される窒化物半導体層をエッチングなどにより予め除去することもできる。エッチングは種々のドライエッチング法やウェットエッチング法を用いることができる。

【0029】発光ダイオード用の窒化物半導体ウエハーとする場合、基板で通常300 μ mから500 μ mの厚みがあり、pn接合を持つ窒化物半導体層で数 μ mから数十 μ mの厚みがある。したがって、半導体ウエハーのほとんどが基板の厚みで占められることとなる。レーザーによる加工を行いやすくするために基板の厚みを研磨により薄くすることができる。このような研磨は、窒化物半導体を形成させてから薄くしても良いし薄く研磨した基板上に窒化物半導体を形成させることもできる。

【0030】なお、レーザーが照射された窒化物半導体ウエハーは、その焦点となる照射部が選択的に飛翔した凹部103、403或いは微視的なマイクロ・クロックの集合である加工変質層206、308になると考えられる。また、第1の主面側、第2の主面側とは加工分離される半導体ウエハーの総膜厚を基準として、総膜厚の

半分からその第1の主面或いは第2の主面に向けての任意の位置を言う。したがって、半導体ウエハーの表面でも良いし内部でも良い。さらに、本発明は第1の主面側及び/又は第2の主面側のレーザー加工に加えて半導体ウエハーの総膜厚の中心をレーザー加工させても良い。

【0031】（レーザー加工機）本発明に用いられるレーザー加工機としては、窒化物半導体ウエハーが分離可能な溝、加工変質層などが形成可能なものであればよい。具体的には、CO₂レーザー、YAGレーザーやエキシマ・レーザーなどが好適に用いられる。

【0032】レーザー加工機によって照射されるレーザーはレンズなどの光学系により所望により種々に焦点を調節させることができる。したがって、同一方向からのレーザー照射により半導体ウエハーの任意の焦点に窒化物半導体を損傷させることなく溝、加工変質層などを形成させることができる。また、レーザーの照射面は、フィルターを通すことなどにより真円状、楕円状や矩形など所望の形状に調節させることもできる。

【0033】レーザー加工機によるスクライブ・ラインの形成にはレーザー照射装置自体を移動させても良いし照射されるレーザーのみミラーなどで走査して形成させることもできる。さらには、半導体ウエハーを保持するステージを上下、左右、90度回転など種々駆動させることにより所望のスクライブ・ラインを形成することもできる。以下、本発明の実施例について詳述するが実施例のみに限定されるものでないことは言うまでもない。

【0034】

【実施例】（実施例1）厚さ200 μ mであり洗浄されたサファイアを基板としてMOCVD法を利用して窒化物半導体を積層させ窒化物半導体ウエハーを形成させた。窒化物半導体は基板を分離した後に発光素子とすることが可能なよう多層膜として成膜させた。まず、510 $^{\circ}$ Cにおいて原料ガスとしてNH₃（アンモニア）ガス、TMG（トリメチルガリウム）ガス及びキャリアガスである水素ガスを流すことにより厚さ約200オングストロームのバッファー層を形成させた。

【0035】次に、TMGガスの流入を止めた後、反応装置の温度を1050 $^{\circ}$ Cに挙げ再びNH₃（アンモニア）ガス、TMGガス、ドーパントガスとしてSiH₄（シラン）ガス、キャリアガスとして水素ガスを流すことによりn型コンタクト層として働く厚さ約4 μ mのGaN層を形成させた。

【0036】活性層は、一旦、キャリアガスのみとさせ反応装置の温度を800 $^{\circ}$ Cに保持し後、原料ガスとしてNH₃（アンモニア）ガス、TMGガス、TMI（トリメチルインジウム）及びキャリアガスとして水素ガスを流すことにより厚さ約3nmのアンダーブレイク層を堆積させた。

【0037】活性層上にクラッド層を形成させるため原料ガスの流入を停止し反応装置の温度を1050 $^{\circ}$ Cに保

持した後、原料ガスとしてNH₃（アンモニア）ガス、TMA（トリメチルアルミニウム）ガス、TMGガス、ドーパントガスとしてCp₂Mg（シクロペンタジエルマグシウム）ガス及びキャリアガスとして、水素ガスを流しp型クラッド層として厚さ約0.1μmのGaAlN層を形成させた。

【0038】最後に、反応装置の温度を1050℃に維持し原料ガスとしてNH₃（アンモニア）ガス、TMGガス、ドーパントガスとしてCp₂Mgガス及びキャリアガスとして水素ガスを流しp型コンタクト層として厚さ約0.5μmのGaAlN層を形成させた（図1（A））。（なお、p型窒化物半導体層は400℃以上でアニール処理してある。）

こうして形成された半導体ウエハー100を形成された窒化物半導体102が上になるように上下・左右の平面方向に自由に駆動可能なテーブル上に固定させた。レーザー光線（波長356nm）をサファイア基板101上に形成された窒化物半導体102側から照射し、焦点がサファイア基板101の略底面に結ばれるようにレーザーの光学系を調整した。調整したレーザーを16J/cm²で照射させながらステージを移動させることによりサファイア基板101の底面に深さ約4μmのスクライブ・ライン103を縦横に形成する。形成されたスクライブ・ライン103は、窒化物半導体ウエハー100の主面から見るとそれぞれがその後に窒化物半導体素子110となる約350μm角の大きさに形成させてある（図1（B））。

【0039】次に、レーザー加工機のレーザー照射部のみダイシングソーと入れ替え窒化物半導体ウエハーの固定を維持したままダイサーにより、半導体ウエハー100に窒化物半導体102の上面からサファイア基板101に達する溝部104を形成する。ダイサーにより形成された溝部104は、レーザー照射により形成されたスクライブ・ライン103と半導体ウエハー100を介して平行に形成されており、溝部104底面とサファイア基板101側の底面との間隔が、100μmでほぼ均一にさせた（図1（C））。

【0040】スクライブ・ライン103に沿って、不示図のローラーにより荷重を作用させ、窒化物半導体ウエハーを切断分離することができる。分離された端面はいずれもチップングやクラックのない窒化物半導体素子110を形成することができる（図1（D））。

【0041】実施例1ではレーザーが照射される窒化物半導体102が形成された半導体ウエハー100の表面側ではなく窒化物半導体102及びサファイア基板101を透過した半導体ウエハー100の裏面側となるサファイア基板101底面で集光されたレーザーによりスクライブ・ライン103が形成される。

【0042】半導体ウエハー100の窒化物半導体102が形成された主面側（レーザー照射側）からサファイ

アなどの基板101に達する溝部104を形成することで、容易にかつ正確にスクライブ・ライン104に沿って窒化物半導体素子110を分割することができる。

【0043】なお、スクライブ・ライン103の形成をレーザーで行うため、ダイヤモンドスクライバーの如き、カッターの消耗、劣化による加工精度のバラツキ、刃先交換のために発生するコストを低減することができる。また、半導体ウエハーの片側からだけの加工で、半導体ウエハー両面から加工したのと同様の効果を得られ、上面、裏面においても形状の揃った窒化物半導体素子110を製造することが可能となり、製造歩留まりを高め、形状のバラツキが低減できる分、特に、切り代を小さくし、半導体素子の採り数を向上させることが可能となる。さらに、スクライブ・ライン110をサファイア基板101側の表面で形成させるためにレーザーによる加工くずが窒化物半導体102上に付着することなくスクライブ・ラインを形成することができる。

【0044】（実施例2）実施例1と同様にして形成させた半導体ウエハーに、RIE（Reactive Ion Etching）によって窒化物半導体表面側から溝が形成されるサファイア基板との境界面が露出するまでエッチングさせ複数の島状窒化物半導体層205が形成された半導体ウエハーを用いる。なお、エッチング時にpn各半導体が露出するようマスクを形成させエッチング後除去させてある。また、pn各半導体層には、電極220がスパッタリング法により形成されている（図2（A））。

【0045】この半導体ウエハー200を実施例1と同様のレーザー加工機に固定配置させた。実施例2においてもレーザー加工機からのレーザーを窒化物半導体ウエハーの窒化物半導体205側から照射し、焦点がサファイア基板201の底面から20μmのサファイア基板内部に結ばれるようにレーザー光学系を調整する。調整したレーザー光線を16J/cm²で照射させながらステージを移動させることによりサファイア基板の底面付近の基板内部に加工変質層206となるスクライブ・ラインを形成する（図2（B））。

【0046】次に、レーザー光学系（不示図）を調整し直し、焦点がエッチングにより露出されたサファイア基板201の上面（窒化物半導体の形成面側）に結ばれるように調整した。調整したレーザーを照射させながらステージを移動させることにより、半導体ウエハーに窒化物半導体層側の上面からサファイア基板に達する溝部を形成する。形成された溝部204は、加工変質層206とサファイア基板201を介して略平行に形成させてある。なお、レーザー照射により形成されたサファイア基板201上の溝部204は、溝部の底面とサファイア基板の底面との間隔が、約100μmで、ほぼ均一になるように調整してある。さらに、レーザー光学系を調節し直し、焦点がサファイア基板201に設けられた溝部底面に結ばれるよう調節した。調節したレーザーを14J

／ cm^2 で照射させながらステージを移動させることにより、窒化物半導体が形成されたサファイア基板の露出面に設けられた溝部 204 の底面に深さ約 $3\ \mu\text{m}$ のスクライブ・ライン 207 を形成する (図 2 (C))。

【0047】続いて、溝部 (スクライブ・ライン) に沿ってローラーによって荷重をかけ半導体ウエハーを切断し、LEDチップ 210 を分離させた (図 2 (D))。

【0048】こうして形成された LEDチップに電力を供給したところいずれも発光可能であると共に切断端面にはチッピングが生じているものはほとんどなかった。歩留まりは 98%以上であった。

【0049】実施例 2 では半導体ウエハーの片面側からレーザーにより基板表裏両面にスクライブ・ラインを形成することで、厚みがある窒化物半導体ウエハーでもスクライブ・ラインに沿って簡単に窒化物半導体素子を分割することが可能となる。また、溝の形成される部分が、サファイア基板までエッチングされているため、溝形成による窒化物半導体への損傷がより少なく分離させた後の窒化物半導体素子の信頼性を向上させることが可能である。特に、スクライブ・ラインが形成されるとき、レーザーの焦点がサファイア基板内部で結ばれていることから、半導体ウエハーを固定している、テーブル若しくは粘性シートを損傷することなく加工が実現できる。また、レーザー照射による加工くずの発生もない。なお、全てをレーザー加工でなく溝の形成をダイサーで行っても本発明と同様に量産性良く窒化物半導体素子を形成することができる。

【0050】レーザーによって溝部、スクライブ・ラインを窒化物半導体ウエハーに対して非接触で加工できる。そのため、ブレード及びカッターの消耗、劣化による加工精度のバラツキ、刃先の交換のために発生するコストを低減できる。また、半導体ウエハーの片側からだけの加工で、半導体ウエハー両面から加工したのと同様の効果を得られ、形状の揃った半導体チップを製造することが可能となる。製造歩留まりを高め形状のバラツキが低減できる分切り代を小さくし、窒化物半導体ウエハーからの半導体素子の採り数を向上させることが可能となる。

【0051】さらに、半導体層面からの溝部をもレーザーにより形成することで、より幅の狭い溝を形成することが可能となる。このため窒化物半導体ウエハーからのチップの採り数をさらに向上させることが可能となる。

【0052】(実施例 3) 実施例 1 と同様にして形成させた半導体ウエハー 300 に、予めサファイア基板 301 を $80\ \mu\text{m}$ まで研磨して鏡面仕上げされている。この半導体ウエハーを窒化物半導体 302 が積層されていないサファイア基板 301 面を上にして実施例 1 と同様のレーザー加工機のステージに固定配置させた (図 3 (A))。

【0053】実施例 3 においてはレーザー加工機 (不示

図) からのレーザーを窒化物半導体ウエハー 300 の窒化物半導体 302 が形成されていないサファイア基板 301 面側 (基板露出面側) から照射し、焦点が窒化物半導体 302 とサファイア基板 301 の界面に結ばれるようにレーザー光学系を調整する。ステージを駆動させながらレーザーを照射することにより窒化物半導体 302 及び窒化物半導体と接したサファイア基板 301 界面近傍に加工変質層 308 であるスクライブ・ラインを縦横に第 1 のスクライブ・ラインとして形成する (図 3 (B))。

【0054】次に、レーザー加工機のレーザー照射部のみダイシングソー (不示図) と入れ替え窒化物半導体ウエハーの固定を維持したままダイサーによりブレード回転数 30, 000 rpm、切断速度 $3\ \text{mm}/\text{sec}$ で窒化物半導体が積層されていないサファイア基板底面側から窒化物半導体面に達しない溝部 309 を形成した。ダイサーにより形成された溝部は、縦横とも加工変質層 308 と略平行に設けられ溝部 309 の底面とサファイア基板底面との間隔が、 $50\ \mu\text{m}$ でほぼ均一になるように形成させる。さらに、ダイシングソーをレーザー加工機と入れ替えレーザーの焦点をダイサーにより形成された溝部 309 の底面に合わせる。レーザー照射により、サファイア基板 301 に形成された溝部 309 の底面に深さ約 $3\ \mu\text{m}$ の第 2 のスクライブ・ライン 307 を形成する (図 3 (C))。

【0055】第 2 のスクライブ・ライン 307 に沿って、ローラー (不示図) により荷重をかけ窒化物半導体ウエハーを切断分離し窒化物半導体素子 310 を形成させた (図 3 (D))。こうして形成された窒化物半導体素子の切断端面にはチッピングが生じているものはほとんどなかった。

【0056】実施例 3 に記載の方法は、サファイアなど基板 301 裏面側から窒化物半導体 302 に達しない溝部 309 を別途形成することで、レーザーにより形成されたスクライブ・ラインに沿って容易にかつ正確に窒化物半導体素子 310 を分離することが可能となる。したがって、上面、裏面においても形状の揃った窒化物半導体素子の供給、及び製品歩留まりの向上が可能となる。なお、ダイサーによる加工の後に、レーザー加工による第 1 及び第 2 のスクライブ・ラインの形成を形成することもできる。第 1 及び第 2 のスクライブ・ライン形成後にダイサーによる加工をすることもできる。

【0057】スクライブ・ラインの形成をレーザーで行うため、ダイヤモンドスクライバーのカッター消耗、劣化による加工精度のバラツキ、刃先交換のために発生するコストを低減することができる。また、窒化物半導体ウエハーをひっくり返すことなく、半導体ウエハーの片側からだけの加工で半導体ウエハー両面から加工したのと同様の効果を得られる。形状の揃った半導体チップを製造することが可能となり、製造歩留まりを高め形状の

バラツキが低減できるため切り代を小さくし、窒化物半導体ウエハーからの半導体チップの採り数を向上させることが可能となる。さらに、レーザー加工による加工くずが窒化物半導体表面に付着することもない。

【0058】(実施例4)実施例1と同様にして形成させた半導体ウエハーに、RIE(Reactive Ion Etching)によって窒化物半導体表面側から溝が形成されるサファイア基板401との境界面が露出するまでエッチングさせ複数の島状窒化物半導体405が形成された半導体ウエハー400を用いる。なお、エッチング時にpn各半導体が露出するようマスクを形成させエッチング後除去させてある。また、pn各半導体層には、電極420がスパッタリング法により形成されている。この半導体ウエハー400のサファイア基板401を100 μ mまで研磨して鏡面仕上げさせる(図4(A))。

【0059】半導体ウエハー400を窒化物半導体が全く積層されていないサファイア基板401を上にして実施例1と同様のレーザー加工機(不示図)に固定配置させた。実施例4においてはレーザー加工機のレーザーを半導体ウエハー(400)の窒化物半導体405が形成されていないサファイア基板401面側から照射し、焦点は窒化物半導体405が積層されたサファイア基板表面側の(予め基板が露出された)表面近傍に結ばれるようにレーザー光学系(不示図)を調整し、レーザー走査によりサファイア基板401に深さ約4 μ mの第1のスクライブ・ライン403を縦横に形成する(図4

(B))。

【0060】次に、レーザー光学系を再び調整してレーザーの走査により、窒化物半導体ウエハーにサファイア基板401側から窒化物半導体405面に達しない溝部409を第1のスクライブ・ライン403に沿って形成する。レーザー光学系を再び調整してレーザーの走査により、溝部の底面に深さ約3 μ mの第2のスクライブ・ラインを形成する(図4(C))。

【0061】スクライブ・ラインに沿って、ローラー(不示図)により荷重をかけ窒化物半導体ウエハーを分離し窒化物半導体素子410を形成させる(図4(D))。

【0062】分離された窒化物半導体素子であるLEDチップに通電させたところ何れも発光可能であり、その端面を調べたところチップングやクラックが生じているものはほとんどなかった。歩留まりは98%以上であった。

【0063】スクライブ・ラインの形成をレーザーで行うため、ダイヤモンドスクライバーのカッターの消耗、劣化による加工精度のバラツキ、刃先交換のために発生するコストを低減することができる。また、窒化物半導体ウエハーの片側からだけの加工で、半導体ウエハー両面から加工したのと同様の効果を得られ、形状の揃った半導体素子を製造することが可能となり、製造歩留まり

を高め、形状のバラツキが低減できる分、切り代を小さくし、窒化物半導体ウエハーからの半導体チップの採り数を向上させることが可能となる。

【0064】(実施例5)実施例1のYAGレーザーの照射の代わりにエキシマ・レーザーを用いた以外は実施例1と同様にして半導体ウエハーを分離してLEDチップを形成させた。実施例1と同様半導体ウエハーを分離させるときに半導体ウエハーを裏返すことなく分離することができる。また、形成されたLEDチップの分離端面はいずれも発光可能でありチップングやクラックのない綺麗な面を有している。

【0065】(比較例1)レーザー加工の代わりにダイヤモンドスクライバーにより繰り返し3回スクライブした以外は実施例1と同様にして半導体ウエハーを分離させた。比較例1の分離された窒化物半導体素子は部分的にクラックが生じていた。また、割れが生じ約84%以下の歩留まりであった。なお、半導体ウエハーの両面にスクライブ・ラインやダイサーによる溝を形成させるためにひっくり返すなどの手間がかかり作業性が極めて悪く約1.5倍の時間が掛かった。

【0066】

【発明の効果】本発明の窒化物半導体素子の製造方法では、レーザー源から照射したレーザーをレンズなどの光学系で集光することにより、所望の焦点付近でエネルギーを集中させることができる。このエネルギー密度が非常に高くなった焦点でワークの加工がなされる。特に、窒化物半導体ウエハーを透過したレーザーの焦点を利用する。不要な分離部となる窒化物半導体ウエハーに光学系で調整したレーザーを照射し、必要な窒化物半導体層の損傷をすることなく窒化物半導体ウエハーのレーザー照射面に対して半導体ウエハーの反対側の面まで自由に加工を行うことが可能となる。

【0067】したがって、本発明は窒化物半導体ウエハーを透過した所望の焦点での加工を利用することにより、窒化物半導体ウエハーを両面側から加工する必要がなく、片側からのみの加工で窒化物半導体ウエハーの表裏両面から加工したのと同じ効果を得ることができる。したがってより歩留まりを向上させ、且つ形状にバラツキが少ない窒化物半導体素子及びその量産性の良い製造方法を提供することができる。

【0068】

【図の簡単な説明】

【図1】図1は本発明の実施例1における半導体ウエハーの分離方法を示した模式的部分断面図である。

【0069】

【図2】図2は本発明の実施例2における半導体ウエハーの分離方法を示した模式的部分断面図である。

【0070】

【図3】図3は本発明の実施例3における半導体ウエハーの分離方法を示した模式的部分断面図である。

【0071】

【図4】図4は本発明の実施例4における半導体ウエハの分離方法を示した模式的断面図である。

【0072】

【図5】図5は本発明と比較のために示す窒化物半導体ウエハの切断方法を示した模式的断面図である。

【0073】

【符号の説明】

- 100、200、300、400・・・半導体ウエハ
- 101、201、301、401・・・基板
- 102、302・・・窒化物半導体層
- 103、403・・・基板表面に形成されたスクライブ・ライン
- 104、204・・・半導体層面よりサファイア基板に形成した溝部
- 205、405・・・島状窒化物半導体層
- 206・・・基板内部に形成した加工変質層によるスク

ライブ・ライン

207、307、407・・・溝部底面に形成したスクライブ・ライン

308・・・半導体層と基板の境界に形成したスクライブ・ライン

05

309、409・・・サファイア基板に形成した溝部
110、210、310、410・・・窒化物半導体素子

111、211、311、411・・・第1の主面

10 121、221、321、421・・・第2の主面

220、420・・・電極

500・・・半導体ウエハ

501・・・基板

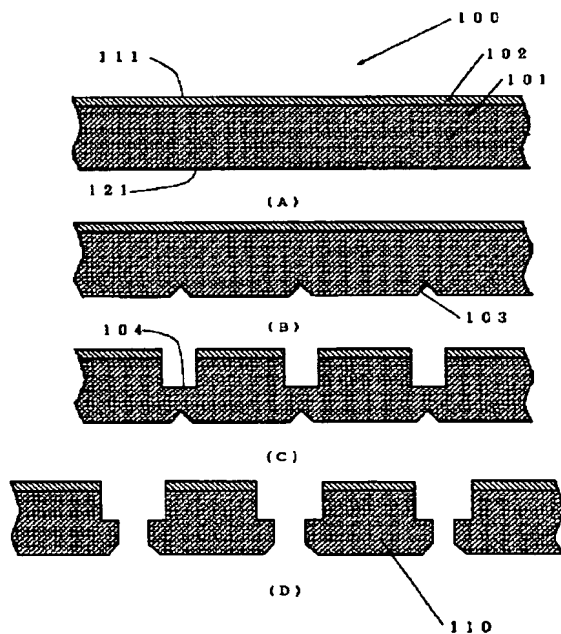
502・・・窒化物半導体層

15 507・・・溝部底面に形成したスクライブ・ライン

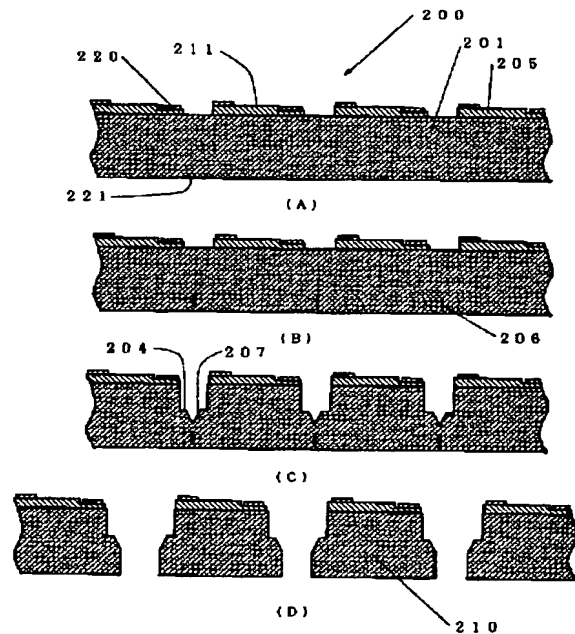
509・・・サファイア基板に形成した溝部

510・・・窒化物半導体素子

【図1】

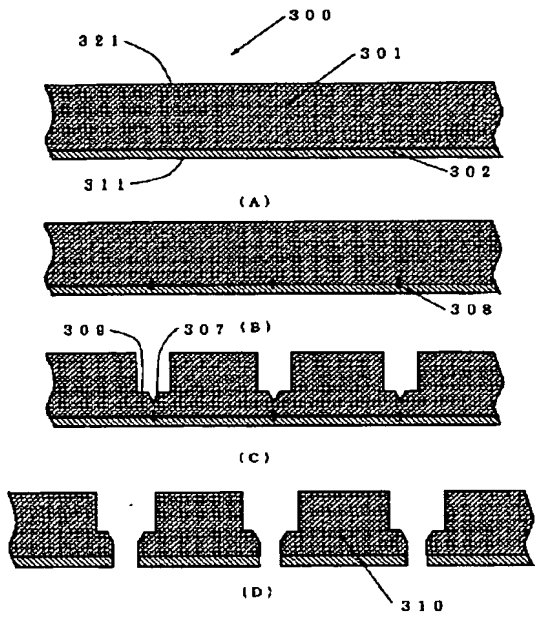


【図2】

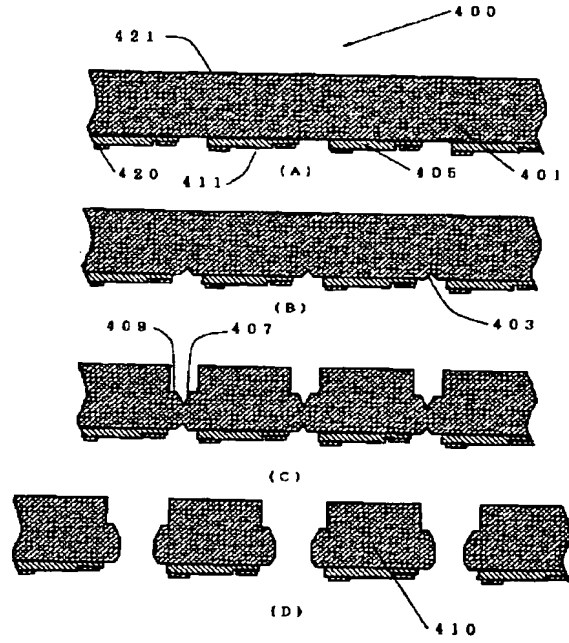


BEST AVAILABLE COPY

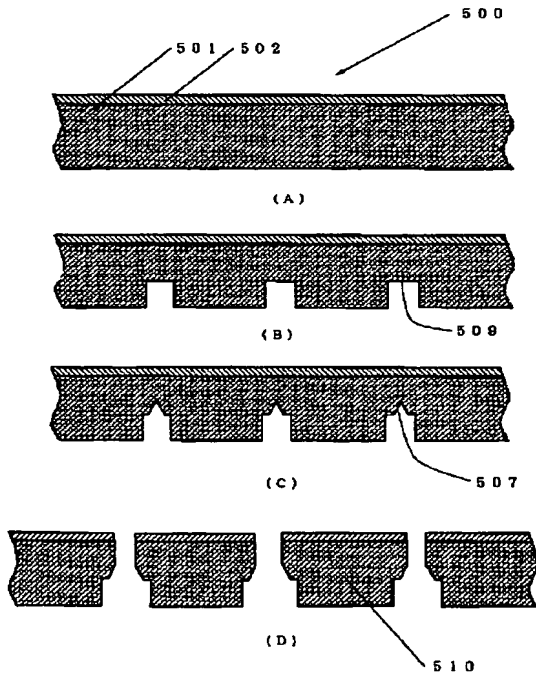
【図 3】



【図 4】



【図 5】



BEST AVAILABLE COPY